



Universal Mount Series

RT40 FLOW RATE TOTALISER

with backlighting & scalable pulse output

INSTRUCTION MANUAL



Software issue

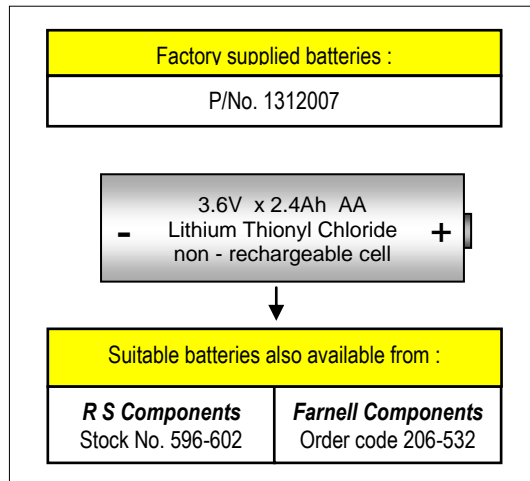
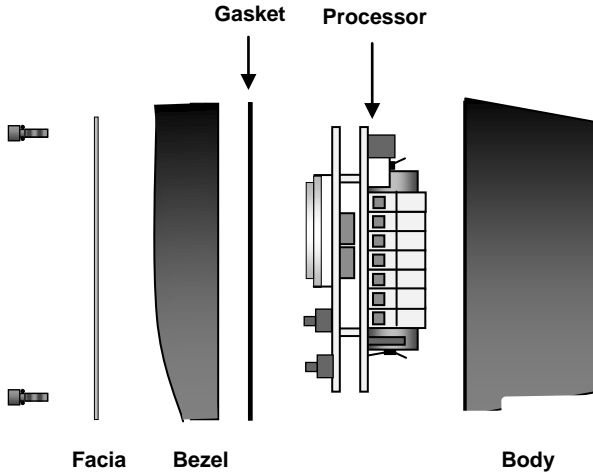


Press & hold Program key to show
instrument software issue.
Current issue: V3.0

TABLE OF CONTENTS

1.	INTRODUCTION		
1.1	Description of elements		4
1.2	Specifications		5
1.3	Overview		6
1.4	LCD displays		6
2.	OPERATION		
2.1	Accumulative total display		7
2.2	Resettable total display		7
2.3	Rate display		7
2.4	Keypad function matrix		7
3.	INSTALLATION		
3.1	Remote mounting	- Surface mount footprint	8
		- wall / surface mount	8
		- panel mount	8
		- pipe mount	9
		- fascia protector option	9
3.2	Flowmeter connections	- unpowered sensors	10
		- powered sensors	11
3.3	Wiring connections	- external powering	12
		- remote touch key switches	12
		- wiring requirements	12
		- scaled pulse output	13
4.	PROGRAM PARAMETERS		
4.1	PIN number program protection		14
4.2	Resetting accumulative total		14
4.3	Engineering units		14
4.4	K-factor (<i>flow input scale factor</i>)		14
4.6	Rate response		14
4.7.1	Low frequency cut-off		14
4.7.2	Scalable pulse output		15
4.8	Display priority		15
5.	PROGRAMMING		
5.1	Programming ladder chart		15
5.2	Program detail record		16
7.	PANEL MOUNT DRILL TEMPLATE		18

1.1 Description of elements



1.2 Specifications

Display : Large backlit 6 digit numeric display with LCD characters 17mm (0.67 ") high, second line of 8 digits x 7mm high totalising plus 5 digits of rate indication. Programmable 0~3 decimal places for all displays.

Signal Input : Universal pulse/frequency input compatible with Reed switch, Hall effect, Namur proximity detectors, voltage, current & Coil (*15mV P-P min*). Max. input frequency 5Khz under external power. Maximum input frequency when not externally powered is 150hz.

Minimum input frequency for rate display is 0.1hz with low frequency cut off feature enabled, totals have no minimum input frequency when low frequency cut off is set to zero.

Battery power : The unit draws about 70 μ A under battery, life expectancy is generally 3 years. Battery life reduces when rate is more often displayed & there is no external power connected. Rate display defaults to total display 4 minute after pressing the rate key in order to conserve battery power.

Battery condition is continuously monitored internally, the instrument runs on 3.6Vdc, the battery icon illuminates when the battery output falls below 3.1Vdc, at this point the instrument will continue to operate for a short period but the battery should be change as soon as possible, batteries are readily available from all major electronic component suppliers (see page 4 for details).

External power : Regulated 8~24Vdc x 50mA minimum. (*reverse polarity protected*)

Memory : All programmed & accumulated data is stored permanently in non-volatile memory.

Pulse output : NPN transistor, scalable, 20hz max. 100mA maximum drive capability.

Physical :

- A) IP66 aluminium alloy with 0.3% magnesium (6% is maximum for mine sites).
- B) 3 x M16 x 1.5 female conduit entries.
- C) 114mm (4.5") wide x 96mm (3.8") high x 62mm deep (2.5") x 480g (1lb).
- D) Temperature range from -20°C to +80°C (-4°F to +176°F).

Configuring : PIN protected data entry.

K-factor range : (*scale factor*) Eg. pulses/litre, gallon, lb etc. Programmable range is 0.001~ 99,999.999 with a floating decimal point during K-factor entry.

Engineering units : Selectable Ltr, gal, m3, kgs, lbs (*total*). /sec, /min, /hr or /day (*rate*).

1.3 Overview

The instrument will display Flow Rate, Resettable Total and an Accumulated Total in engineering units as programmed by the user. Simple flow chart programming prompts you through the programming set up greatly reducing the need to refer to the instruction manual. All user program data is retained if the battery is removed.

Environments

The instrument is weatherproof to IP66/67 (Nema 4X) standards, constructed in ADC12 aluminium alloy with stainless screws & Nitrile seal. The instrument suits harsh indoor and outdoor environments & conforms to EMC directive 89/336/EEC Electro Magnetic Compatibility.

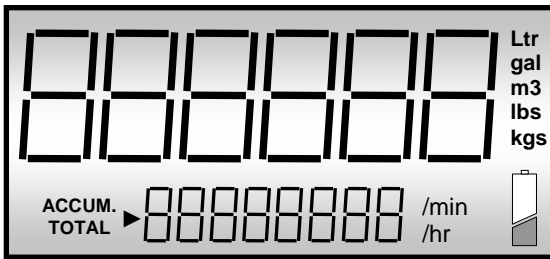
Features

PIN Protection, NPN scalable pulse output, Low frequency cut-off, display priority & large backlit digital display (*backlighting enabled under external DC power only*).

Installation

Specifically engineered to be directly mounted on a variety of flowmeters, wall or surface mounted, pipe or panel mounted. Various mounting kits are available. The instrument can be self powered or may be powered by an external dc supply or two wire loop powered.

1.4 LCD displays



Full LCD display test feature illuminates all display segments and script text displays for 5 seconds when entering the program mode.

Resettable Total This large 6 digit display can be programmed for up to 3 decimal places.

Accumulative Total The 8 digit display can be programmed for up to 3 decimal places. Reset is only possible when in the program mode which can be PIN protected for security.



Rate display Rate is displayed with a flashing time base of either SEC, /min, /hr or day followed by up to 5 digits of rate; these are programmable for up to 3 “floating” decimal places.

Time bases of units /SEC & units /day are displayed to the left of the digital display whilst units /min & /hr are to the right of the rate digits as shown.



Backlighting The LCD backlight feature will only work from an external dc power source in the range of 8~24Vdc.

2. OPERATION

2.1 Accumulative Total

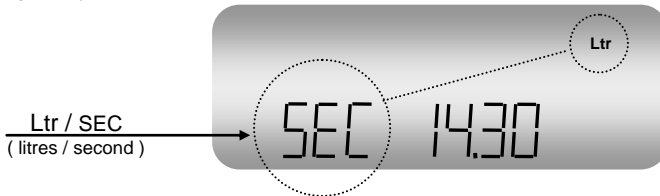
Accumulative total can be reset in the program mode. The accumulative total is displayed by pressing the ACCUM TOTAL key.

2.2 Resettable Total

The resettable total display remains visible at all times & may be reset at any time by pressing the reset button for 2 seconds.

2.3 Rate display The second line display toggles between Rate & Accumulative Total as the appropriate keys are pressed. The instrument will default out of the rate mode after 4 minutes when under battery power, this is to conserve the battery as the unit draws more current when it needs to calculate rate. Under external power the instrument will remain on Rate or Accumulative Total as they are selected.

When rate is displayed the leading three alpha characters on the left of the display “flash ” the time base for rate eg. rate /SEC. rate /dAy. & rate /min. or rate /hr to the left of the rate digits. Decimal points float to provide good resolution & rangeability.



The minimum input frequency for rate display is 0.25hz reducing to 0.1hz if the low frequency cut-off is set to 0.1Hz (see clause 4.7). Rate may be displayed on the large digits on the top display (see clause 4.8).

2.4 Keypad function matrix

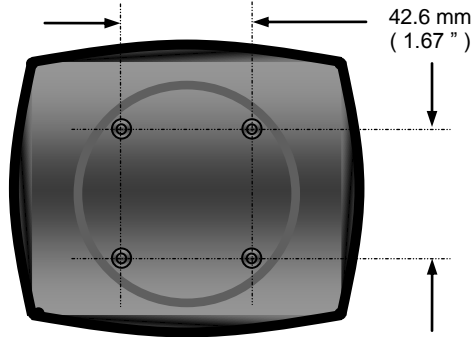
KEY	FUNCTION IN OPERATING MODE	FUNCTION IN PROGRAM MODE
	Displays Accumulative Total when pressed.	No function
	No function	Increments the selected digit each time that it is pressed.
	Resets the resettable total (hold for 2 sec.)	1) Resets the accumulative total to zero. 2) Back steps the program during programming.
	1) Pressing the Prog. & Reset keys for 5 seconds enters you into the program mode. 2) Displays model & software revision No.	Each press steps you through each level of the program.
	Displays flow rate when pressed	Selects the digit to be set, the selected digit will be “flashing ” indicating that it can be incremented.

3. INSTALLATION

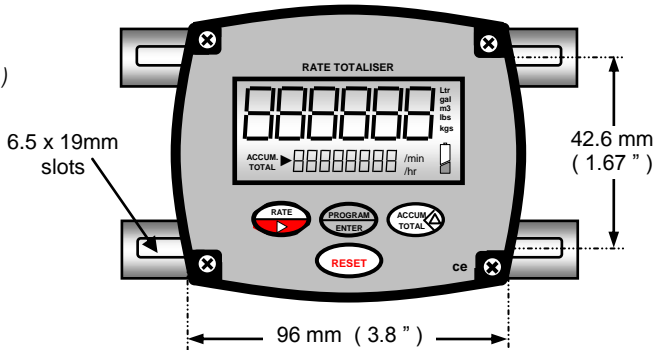
3.1 Remote Mounting

Surface mount footprint

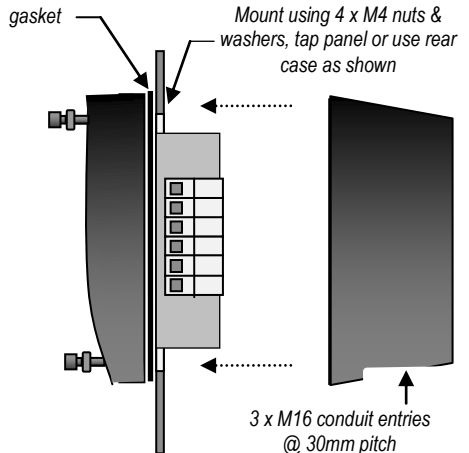
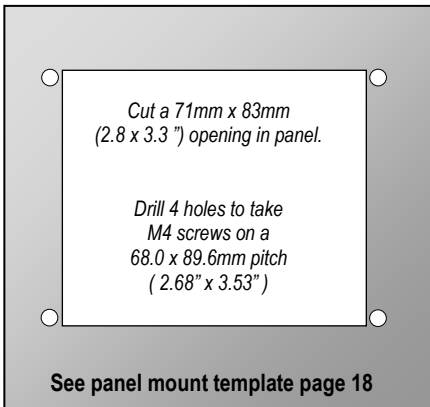
Use 4 x M3 screws
supplied



Wall mount bracket (Optional, P/No. AWM)



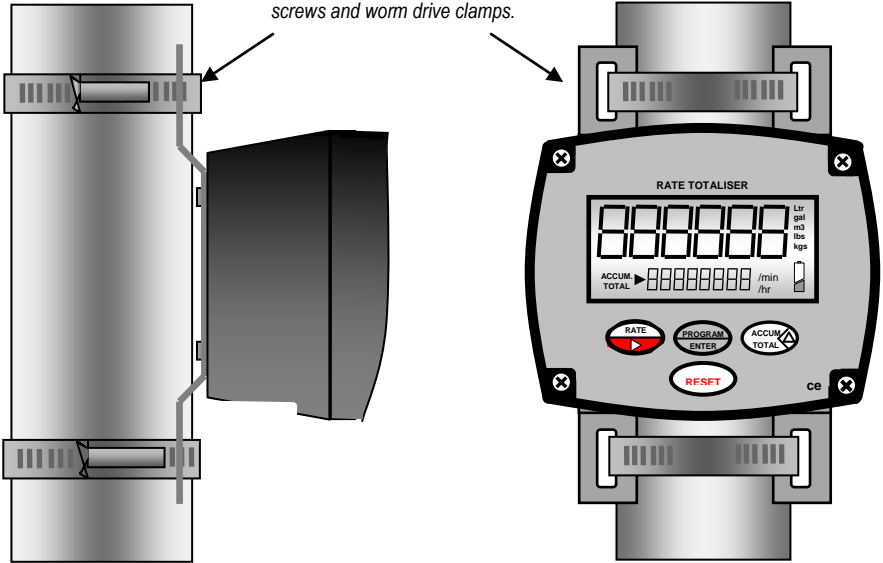
Panel mount options



3.1 Remote Mounting (continued)

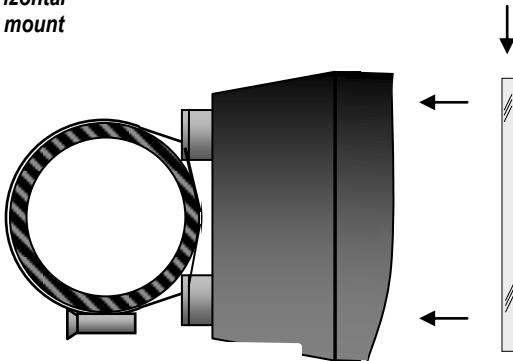
* Pipe mount

* order Pipe mount kit P/No. APM comprising two brackets, screws and worm drive clamps.



* Horizontal pipe mount

Optional facia protector, 3mm clear polycarbonate plate with access port for keys. Order P/No. 1306061.

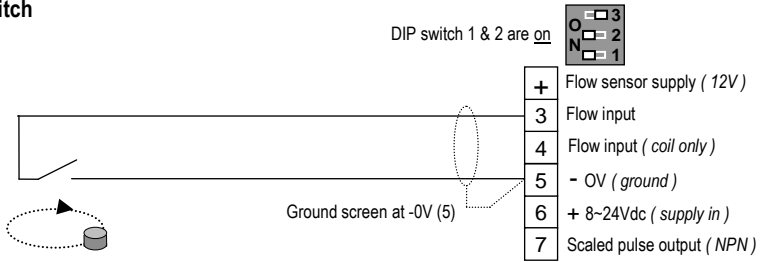


3.2 Flowmeter connections - unpowered sensors

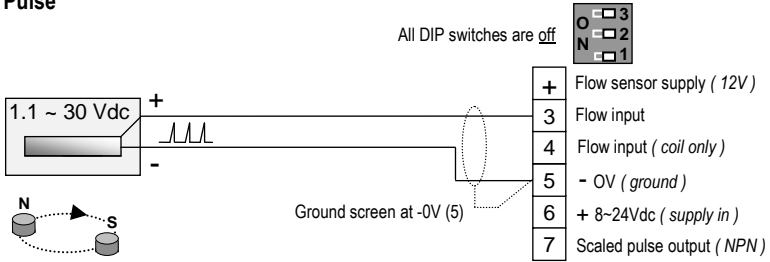
DIP switch functions :

Flow Input	<input type="checkbox"/> 3	Switch 3 : ON engages 820Ω pull down resistor
	<input type="checkbox"/> 2	Switch 2 : ON engages 1 meg Ω pull up resistor
	<input type="checkbox"/> 1	Switch 1 : ON engages 0.01µf capacitor to suppress reed switch bounce

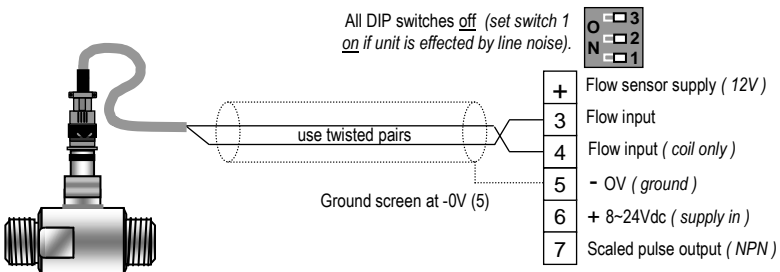
1. Reed switch



2. Voltage Pulse

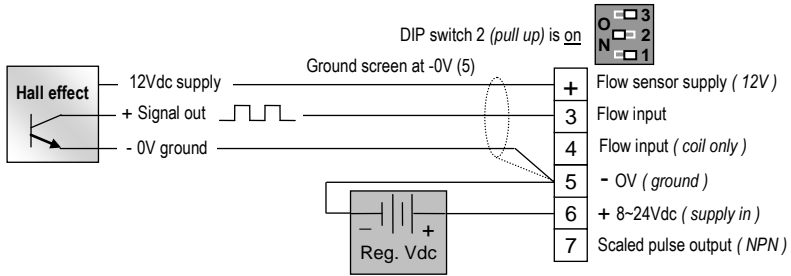


3. Coil (Turbine & paddle style flowmeters – minimum 15mV p-p)

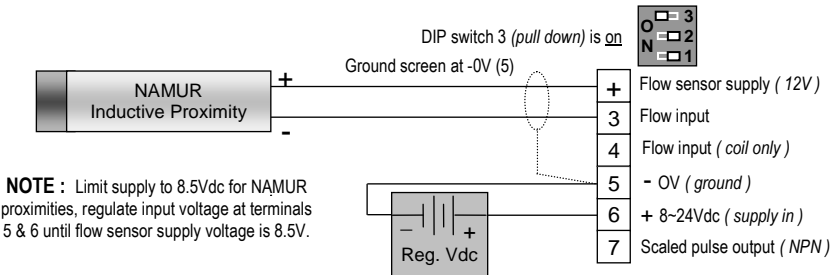


3.2 Flowmeter connections - powered sensors

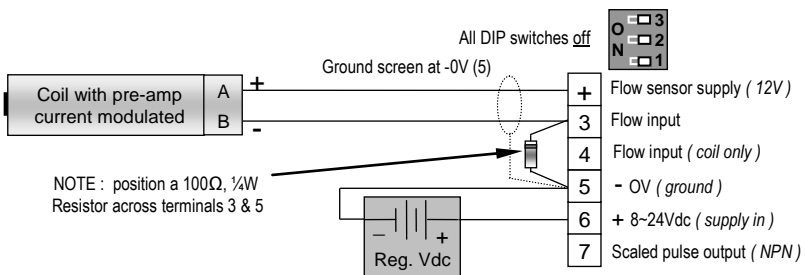
4. Hall effect (12Vdc open collector)



5. Namur (inductive proximity switch)



6. Current modulated pulse (4mA & 20mA pulse amplitude)

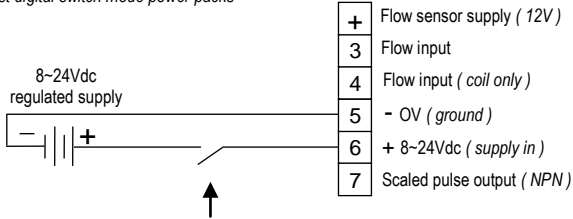


3.3 Wiring connections

External DC powering (required for powered flow sensors, display backlighting or pulse outputs).

CAUTION :

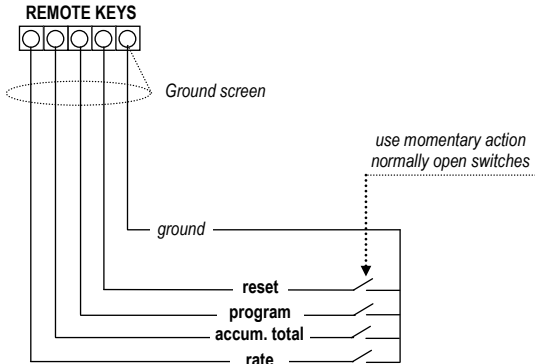
Avoid using low cost digital switch mode power packs



Note : Powering the instrument from an external DC source will cause the backlighting feature to turn on, if this is not desirable at all times then install a power isolation switch in series with the DC power source as shown.

Remote switches

The small 5 position terminal strip provides connections for any or all of the touch key functions, these require remote switches having a normally open momentary action. All remote switch wiring is to be screen & grounded.



Wiring requirements : Use multi-core screened twisted pair instrument cable (0.25 – 0.5mm²) for electrical connection between the instrument and any remote flowmeter or receiving instrument. The screen needs to be earthed to the signal ground of the receiving instrument only to protect the transmitted signal from mutual inductive interference.

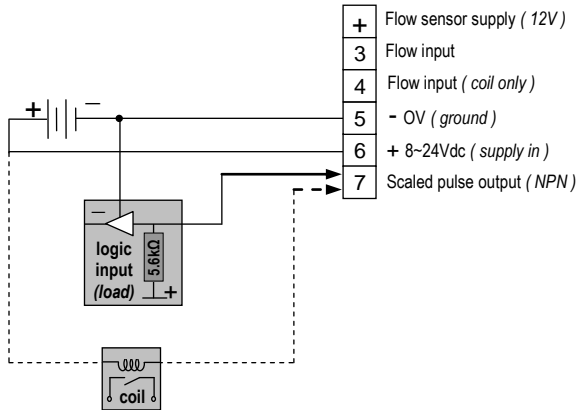
Instrument cabling should not be run in a common conduit or parallel with power and high inductive load carrying cables, power surges & power line frequencies may induce erroneous noise transients onto the signal. Run instrument cables in a separate conduit or with other instrument cables.

3.3 Wiring connections (continued)

Pulse Output (for this feature the instrument must be externally powered as per page 12)

The scaled pulse output is in the form of an NPN (current sinking) style pulse capable of switching up to 100mA. Current sinking derives its name from the fact that it “sinks current from a load”. When activated the current flows from the load into the output at terminal 7.

The pulse width (pulse duration) of the output pulse is 30 milliseconds, this will support up to 20hz output frequency so be sure that the preferred output scaling does not exceed this limit, for example if the output pulse is set to 1 pulse/litre then at 400L/min the output frequency would be 6.66hz, this would be well inside the maximum of 20hz.



Driving a logic input ——— The output voltage pulse is typically the internal voltage of the load. The load would normally have an internal pull up resistor on its input as shown.

Driving a coil - - - - - The coil load is obtained by dividing the coil voltage by coil impedance (Ω), is expressed in amps & is not to exceed 0.1A. The coil voltage is connected across & must match the instrument supply voltage & the pulse output.

4. PROGRAM PARAMETERS

Note: *The instrument defaults out of the program mode if no programming entries are made after 4 minutes.*

4.1 PIN No. Program Protection

Any user defined PIN number other than 0000 will engage the program protection feature, failure to input the correct PIN number will deny the ability to change any of the program parameters but will allow the user to step through and view the existing program parameters.

Only one PIN number may be set but this can be changed at any time after gaining access through PIN entry. A second back up PIN number is installed at the factory should the programmed PIN be lost or forgotten.
(refer bottom of page 16 for the back up PIN No.)

4.2 Resetting Accumulated Total

Resetting the accumulated total can only be done in the program mode.

4.3 Engineering Units

Select from available Engineering units to right of the display (refer clause 1.4), for other engineering units set display to show no engineering units & program a suitable K-factor.

4.4 K-factor (scale factor)

Enter K-factor at S-Fact, up to 5 whole numbers & 3 decimal numbers can be entered using the arrowed keys.

4.6 Rate response

Adjustable response (*rate dampening*) is available to smooth out fluctuating flow input signals in order to provide a stable rate display. The response number (ranged 001~999) represents the number of pulse intervals (duration between each pulse) that the processor averages and displays the rate as calculated.

As a general rule it would be best to apply a response number which is a multiple of the number of pulses a meter produces for each cycle of its primary measuring element, for example a rotating element may produce 4 pulses per revolution so 004, 008, 012 or 016 would be ideal response settings whereas a turbine meters with high resolution pulse outputs would require response settings like 050, 100, 200 or in some cases involving high frequency pulse outputs eg. 500hz, the response number would be set to say 999.

4.7.1 Low frequency cut-off

The low frequency cut-off is most commonly set to 0.0Hz (*disabled*) other than to:

- 1) To display rate for input frequencies below 0.25hz, for example setting the cut-off at 0.1Hz the rate will continue to display for input frequencies as low as 0.1Hz (*one pulse every 10 seconds*), such conditions often apply to flowmeters with low frequency pulse outputs.
- 2) Inhibit the integration & registration of "apparent flow" which at times may be encountered on mobile installations where the movement of the vehicle or dead heading a pulsating pump may cause spurious flow signals which are not attributed to actual flow.
- 3) Inhibit the integration & registration of flow at input frequencies below what is considered the minimum accurate flow rate of the primary flow element (*flowmeter*).

Caution: If the low frequency cut-off is set to any value other than 0.0Hz then the integration of rate and total will cease at frequencies on or below the set frequency value.

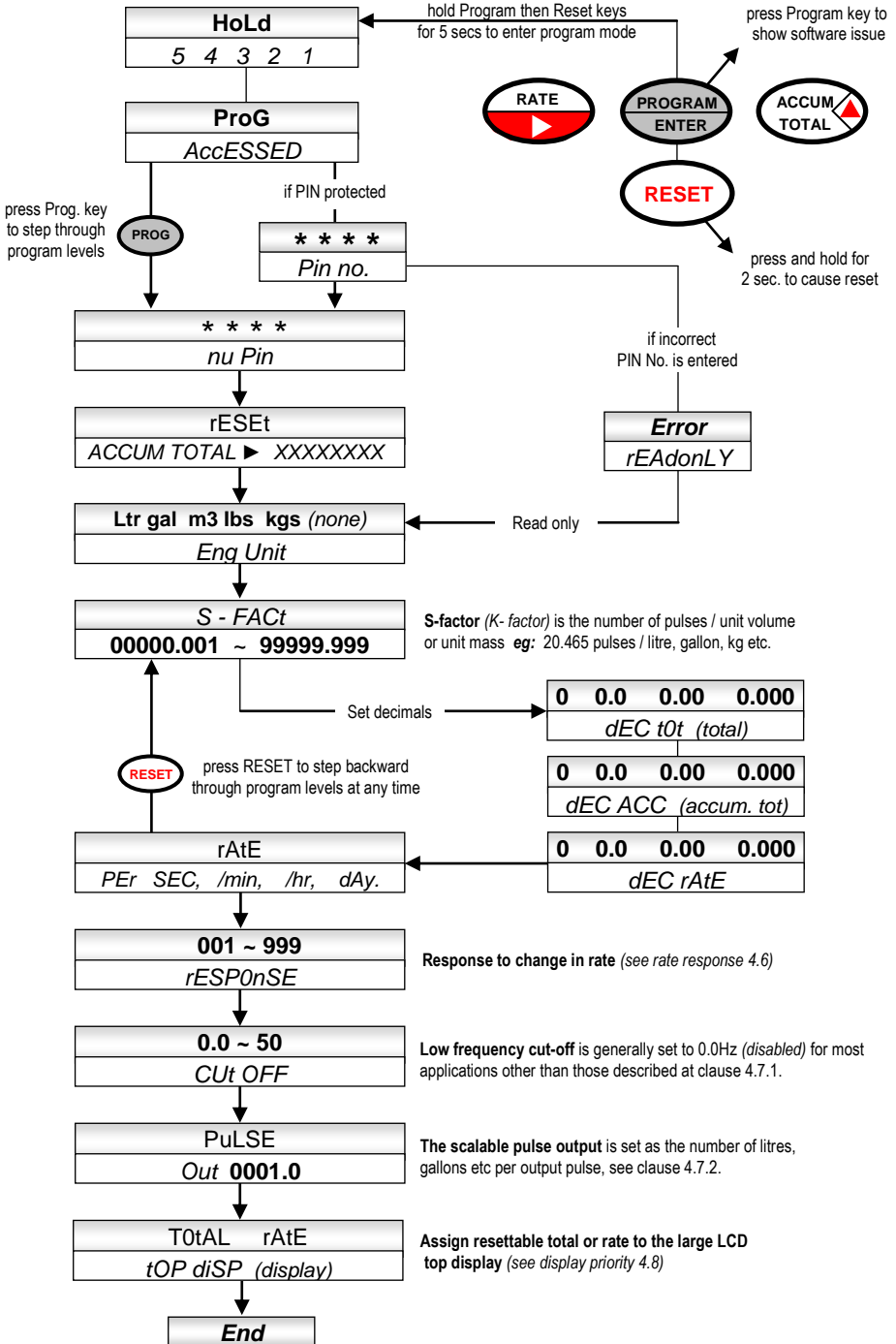
4.7.2 Scalable pulse output

Pulse scaling (terminal 15) is set as the number of litres / gallons etc. per output pulse *Eg.* 0.1 litres/pulse, 10 litres/pulse, 100 gallons/pulse. Range is 0.1~9999.9 Eng.unit/pulse.

4.8 Display priority

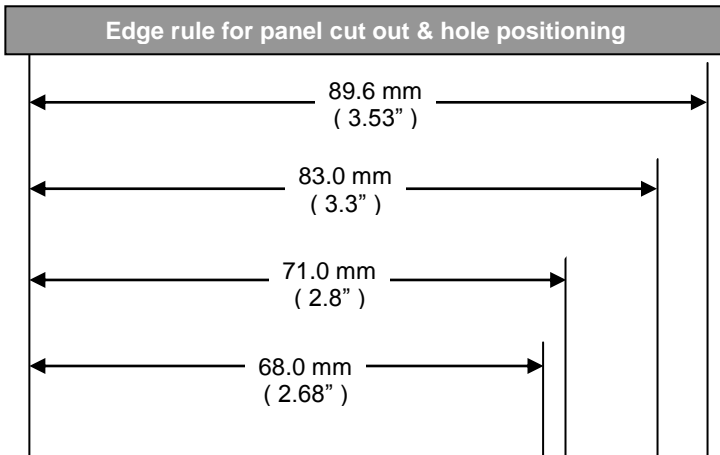
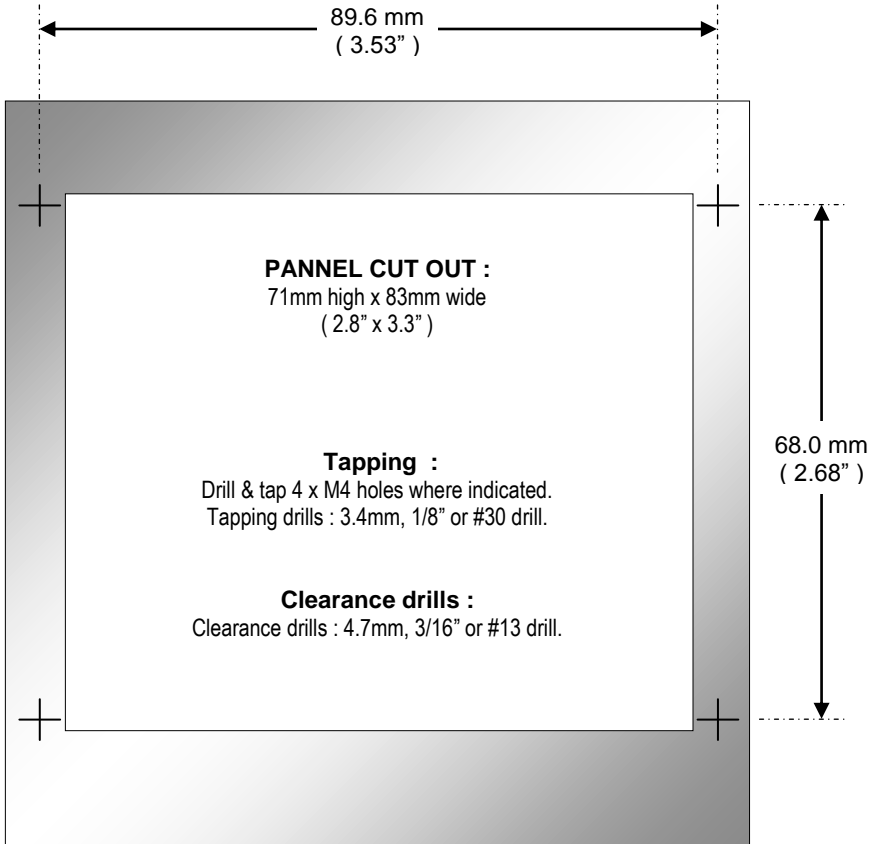
The large digits at the top of the display can be programmed to show either flow rate or resettable total. When flow rate is selected at the top display the rate key can be used to cycle between rate, reset total & accumulate total, in this mode the instrument will default from rate to reset & accumulative totals after 1 minute, external power must be applied if required to display rate at top display continuously.

5.1



8. ALPHABETICAL INDEX

A	Accumulative total	7	P	PIN number protection	14, 16
				Programming	14, 15
B	Battery	2, 5		Program detail record	16
	Backlighting the LCD display	6		Pulse output	13
D	DC power	5, 12	R	Rate response	14, 15
	Decimal point	6		Rate display	7, 15
	Displays	6		Rate time base	7, 15
	Display priority	15		Remote reset input	12
E	Engineering units	5, 15		Resettable total	7
	External DC powering	12		Resetting accumulative total	15
F	Flowmeter connections	10, 11	S	Scale factor (<i>K-factor</i>)	14, 15
	Flow rate	6, 15		Scaled pulse output	13
I	Installation	8 ~ 13		Specifications	5
	Input signals	10, 11	W	Wiring of flowmeter inputs	10, 11
K	Keypad functions	7		Wiring of pulse output	13
	K-factor (<i>scale factor</i>)	14, 15		Wiring to external power	12
L	LCD displays	6		Wiring requirements	12
	Low frequency cut-off	14, 15			
M	Model number designation	4			
	Mounting options	8, 9			
O	Operation	7			
	Overview	6			



Wichita / Sydney / Mexico City



© 2017 Great Plains Industries, Inc., All Rights Reserved.
Great Plains Industries, Inc. / 888-996-3837 / FLOMEC.net